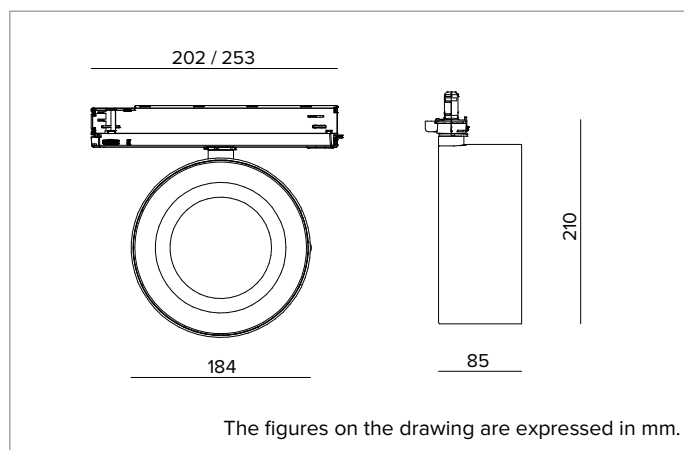


## T037NSI940DAPW | ZENO 180

### Professional adjustable LED projector



	4000K	H(m)	D(m)	Emax(lx)
	Ra90		9°	
Fixture Power	30W	1	0.15	65922
Source Flux	3302lm	2	0.31	16480
Fixture Flux	1954lm	3	0.46	7325
Efficacy	66lm/W	4	0.62	4120
TS1227	Imax=19964cd/klm	Imax	65922cd	5
			0.77	2637



#### SOURCE

High efficiency Chip on Board LED Ra90. Ra97 on request.

**Energy efficiency class:** E

**Nominal power:** 26W

**Nominal flux:** 3302lm

**Colour rendering index:** 90

**Rf:** 90

**Rg:** 98

**CCT nominal:** 4000K

**Lifetime (L80/B10):** >50000h tq +25°C

#### ILLUMINOTECHNICAL CHARACTERISTICS

Narrow Spot version with an indirect optic with LED module facing the reflector, dissipation with a heat-pipe, a highly reflective anodised aluminium parabolic reflector and a transparent PMMA holographic screen.

**Optic:** INDIRECT

**Beam angles:** NSP

**Optical efficiency:** 59%

**Fixture flux:** 1954lm

**Luminous efficacy:** 66lm/W

**Photobiological safety:** Compliant with RG1 low risk group

#### MECHANICAL CHARACTERISTICS

Die-cast painted aluminium optical unit. The optical unit can be adjusted from 0 to -90° on the vertical plane; and 355° on the horizontal plane with aiming blocking system.

**Colour and finish:** Plaster white

**Weight:** 1.5Kg

**Degree of protection:** IP20

#### ELECTRICAL CHARACTERISTICS

DALI electronic driver integrated into the track adapter.

**Fixture Power:** 30W

**Power supply:** 220-240Vac 50/60Hz

**Insulation Class:** CLASS 2

**Type of driver / Control:** DALI

**Driver included:** YES

**Class F:** YES

**SAFE FLICKER:** PstLM=<1 and SVM=<0.4 (IEC TR 61547-1 and IEC TR 63158), to ensure a more comfortable and safe light

**Ambient temperature:** 0°C / +25°C

#### INSTALLATION

Electrified track mounting. Mechanical and optic accessories available, to be installed with holder ring (necessary).

#### NOTES

110-277Vac version available on request.

#### WARRANTY

5 years.

#### WARNING

Luminaire designed for disposal/recycling at end-of-life. Replaceable (LED only) light source by a professional. Replaceable control gear by a professional.

*Due to the technological evolution of the electronic components, the data provided may be updated, and as such, confirmation must be requested during the order process.*

*Luminous flux and power supply have +/-10% tolerances with respect to the indicated value. tq +25°C (CIE 121).*

*We reserve the right to make technical changes.*

Targetti Sankey S.r.l.  
Via Pratese, 164  
50145 Firenze - Italy  
Tel: +39 055 37911  
targetti.com  
targetti@targetti.com

CCIAA Firenze  
Share Capital:  
€ 500.000,00  
VAT N. (IT):  
01537660480  
R.E.A: FI-275656

**TARGETTI**